

BONALDO

Campo

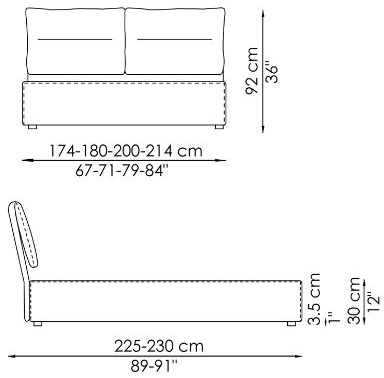


The Campo modern leather, eco-leather or fabric bed, available in double or single versions, catches the eye on account of the soft, padded headboard that adapts comfortably to the body positions. A bed for living and appreciating its sartorial value: Campo is made of fabric, leather or eco-leather and decorated around the edges by exquisite blanket stitching, which can be tone-on-tone or in contrast with the cover. In the version with storage (Campo

open), valuable additional space is provided for storing covers, cushions and everything necessary for the bedroom. The Campo easy open version of the modern leather, eco-leather or fabric bed is furnished with a convenient storage space and also a double-action mechanism that allows the bed surface to be completely raised to facilitate making and cleaning the bed.



Data sheet

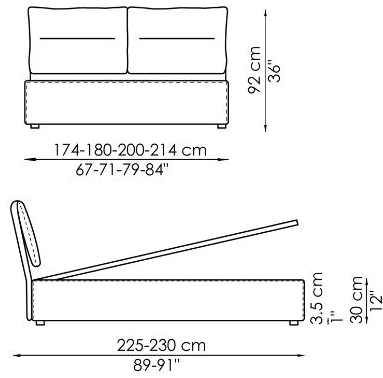


Campo

Width: 174-180-200-214cm

Depth: 225-230cm

Height: 92cm

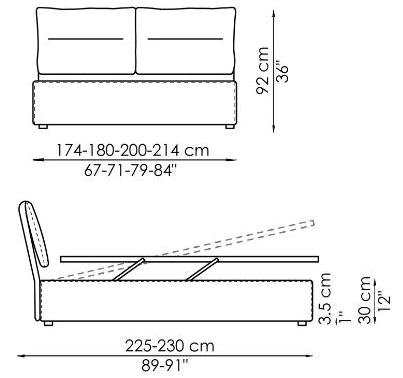


Campo open

Width: 174-180-200-214cm

Depth: 225-230cm

Height: 92cm



Campo easy open

Width: 174-180-200-214cm

Depth: 225-230cm

Height: 92cm

Finishes

DECORATIVE EMBROID

Color



Color
Red



Color
Blue

Color
White



Color
Grey



Color
Beige

FEET

Wood



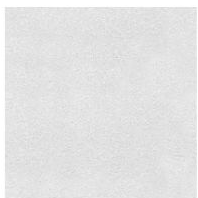
Painted wood
Anthracite grey

Bed accessories



Fabric
Bed blanket

Bed accessories



Fabric
Bed sheet

You can find the complete collection of Bonaldo fabrics and leathers on the website <https://www.bonaldo.biz/>

