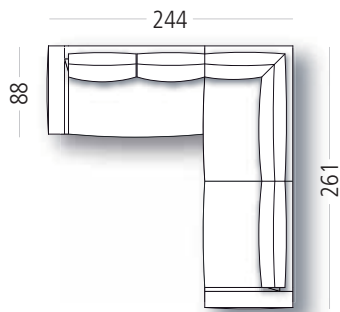


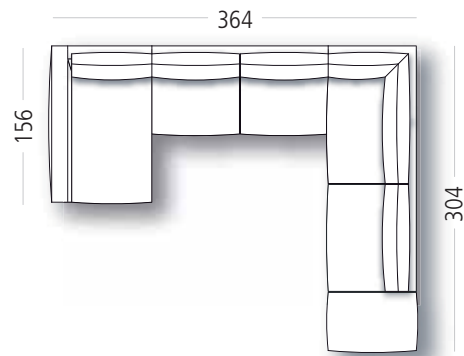
920-ZONE Comfort - Example of combinations

combination 1



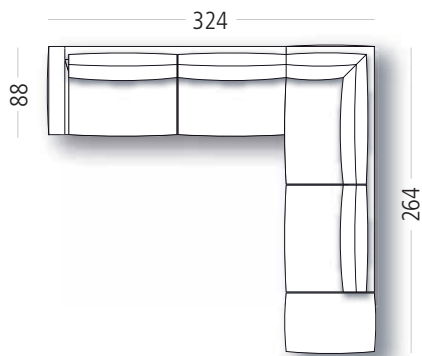
1 sofa 156 with arm left
1 corner 135 left
1 armchair 126 with arm right

combination 4



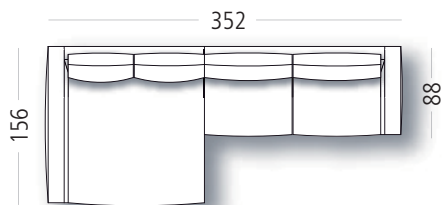
1 chaise longue 100 left
1 sofa 176 without arms
1 corner 304 with end element right

combination 2



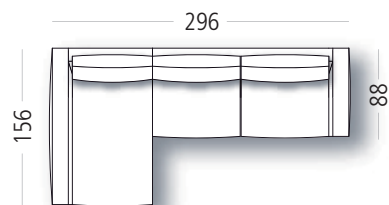
1 sofa 236 with arm left
1 corner 264 with end element right

combination 5



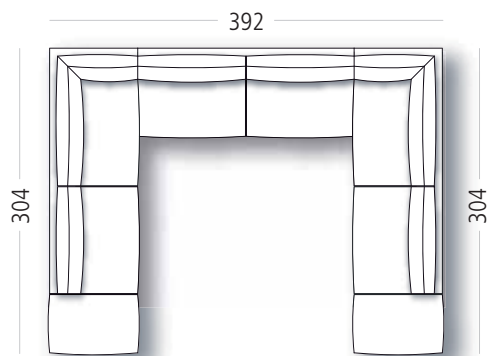
1 chaise longue 156 left
1 sofa 196 with arm right

combination 3



1 sofa 196 with arm right
1 chaise longue 100 left

combination 6



1 corner 304 with end element left
1 sofa 216 without arms
1 corner 304 with end element right